



## VALVES

**BALL - LOCKING HANDLE 316 SS  
1000 WOG/CWP**

### FEATURES & APPLICATIONS:

- Standard Port - 1 Piece
- 1000 WOG/CWP
- 316 SS - PTFE Seat
- Locking Handle
- Plumbing or heating projects, low pressure steam, compressed air, HVAC

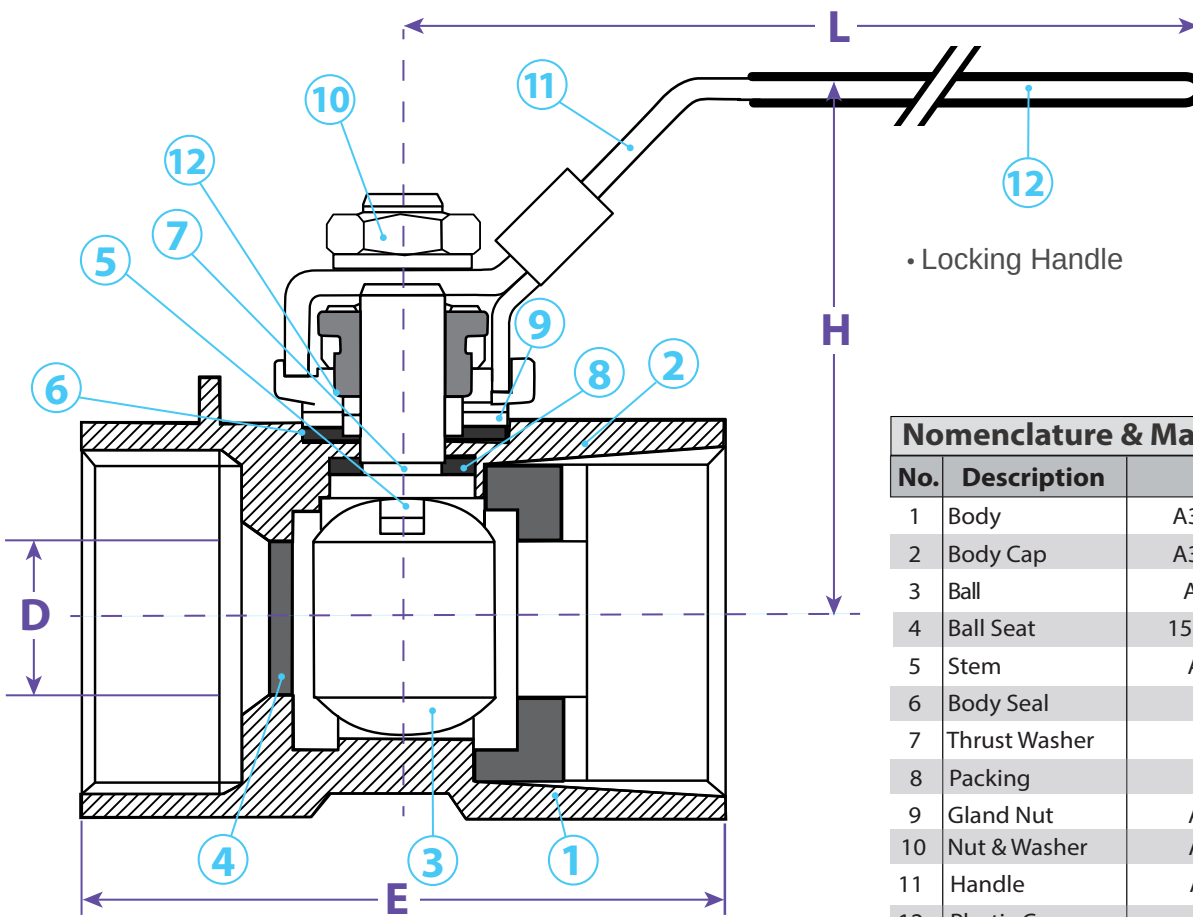


### TECHNICAL DATA:

- **WOG** = Rating indicates the maximum non-shock pressure at ambient temperatures at which the valve may be used.
- **CWP** = Cold working pressure

**WOG:** Water, Oil & Gas: This was an older, generic pressure rating call-out which has been largely replaced by CWP. In this designation, "GAS" refers to any non-flammable, compressible fluid in a gaseous state. It does not imply a product's suitability or third-party approval for use with flammable gases. Similarly, in this designation, "Oil" does not imply a product's third-party approval for use with any petroleum products.

316 SS	
Size	Part #
1/4"	SV 025
3/8"	SV 038
1/2"	SV 050
3/4"	SV 075
1"	SV 100
1-1/4"	SV 125
1-1/2"	SV 150
2"	SV 200



• Locking Handle

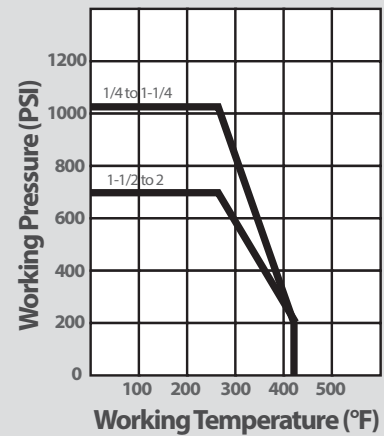
**Nomenclature & Material**

No.	Description	Material 1 Piece
1	Body	A351 CF8M
2	Body Cap	A351 CF8M
3	Ball	AISI 316
4	Ball Seat	15% R-PTFE
5	Stem	AISI 316
6	Body Seal	RTFE
7	Thrust Washer	PTFE
8	Packing	PTFE
9	Gland Nut	AISI 304
10	Nut & Washer	AISI 304
11	Handle	AISI 304
12	Plastic Cover	Plastic

**Dimensions**

Size	E	H	D	L	Part #
1/4"	1.57	1.30	.20	2.64	SV 025
3/8"	1.77	1.42	.28	2.64	SV 038
1/2"	2.28	1.65	.35	3.54	SV 050
3/4"	2.36	1.77	.49	3.54	SV 075
1"	2.84	2.05	.63	4.41	SV 100
1-1/4"	3.15	2.24	.79	4.41	SV 125
1-1/2"	3.35	2.36	.97	5.20	SV 150
2"	4.02	2.60	1.26	5.20	SV 200

**Temperature / Pressure Rating**



TITLE

**BALL VALVE w/Locking Handle - 1000 WOG/CWP**

**DISCLAIMER**

All drawings and specifications are subject to change without notice. Drawings represent general dimensions of our products. Seal Fast Inc. cannot guarantee the dimensions will exactly match those in the drawing. The drawing is the property of Seal Fast Inc. Copying or reproduction of this drawing is expressly prohibited.

MATERIAL

**STAINLESS STEEL**

**DRAWING NOT TO SCALE**

PART #

**SV...**